

## Pantalla LCD 16x2

Fondo amarillo, caracteres verdes.

Item	Measurement (W) x (H) x (T)	Unit
Module Dimension	116.0 x 37.0 x 10.5	mm
Viewing Area	82.2 x 18.2	mm
Character Size	3.20 x 5.55	mm
Dot size	0.60 x 0.65	mm

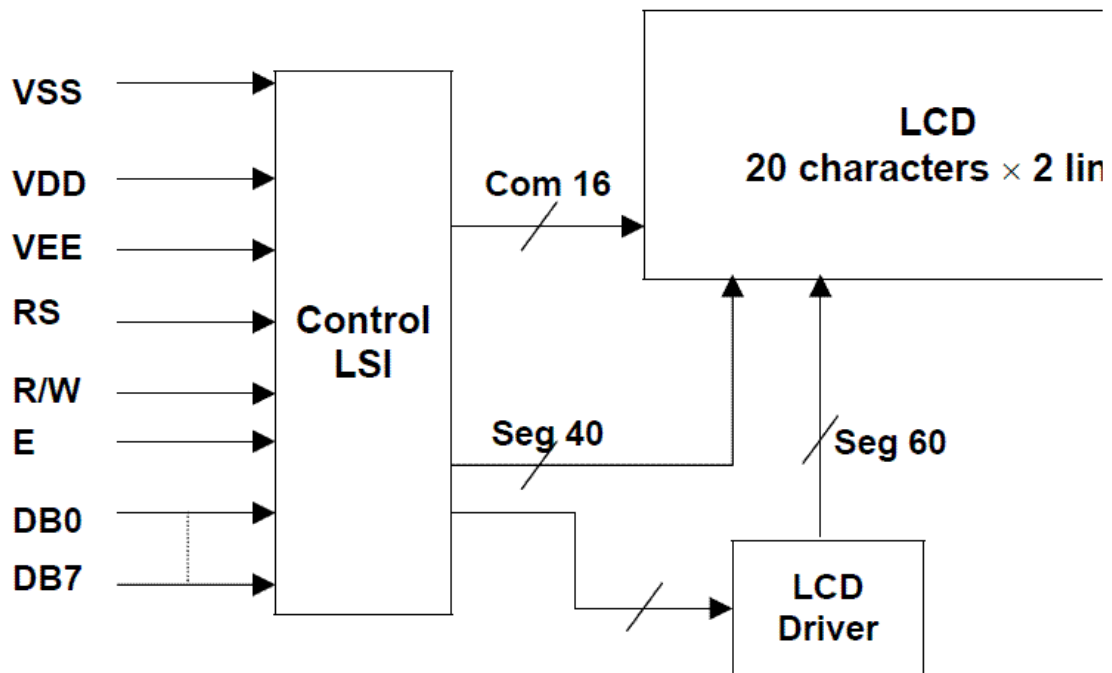
### ELECTRICAL CHARACTERISTIC:

Item	Symbol	Test Condition	Min.	Typical	Max.	Unit
Input "High" Voltage	VIH		2.2		VDD	V
Input "Low" Voltage	VIL		0		0.6	V
Output "High" Voltage	VOH	-IOH=0.205mA	2.4		VDD	V
Output "Low" Voltage	VOL	IOL=1.2mA	0		0.4	V
Supply Current	IDD	VDD=5.0V		2.0	5.0	mA
LED Forward Voltage		I=260mA		4.2	4.6	V
EL Operatinc condition		AC 100Vrms 400Hz		SINE WAVE		

### Absolute Maximum Ratings:

Item	Symbol	Condition	Min.	Max.	Unit
Supply Voltage (Logic)	VDD-VSS	Ta=25°C	-0.3	7	V
Supply Voltage (LCD)	VDD-VO		VDD-0.3	VDD+0.3	V
Input voltage	VI		-0.3	VDD+0.3	V
Operating Temp.	Topr		0	50	°C
Storage Temp.	Tstg		-20	70	°C

Block Diagram:



Pin	Symbol	Level	Function
1	V <sub>SS</sub>		GND (0V)
2	V <sub>DD</sub>		+5V
3	V <sub>O</sub>		LCD Drive Voltage
4	RS	H/L	H->Data Input L->Instructions input
5	RW	H/L	H : Data Read L : Data Write
6	E	H,H->L	Enable Signal
7	DB0	H/L	Data Bus Input
8	DB1	H/L	
9	DB2	H/L	
10	DB3	H/L	
11	DB4	H/L	
12	DB5	H/L	
13	DB6	H/L	
14	DB7	H/L	
15	LEDA	+5V	LED Power Supply
16	LEDK	GND(0V)	

