

Mini 8*2 Characters LCD Module HD44780
User's Guide

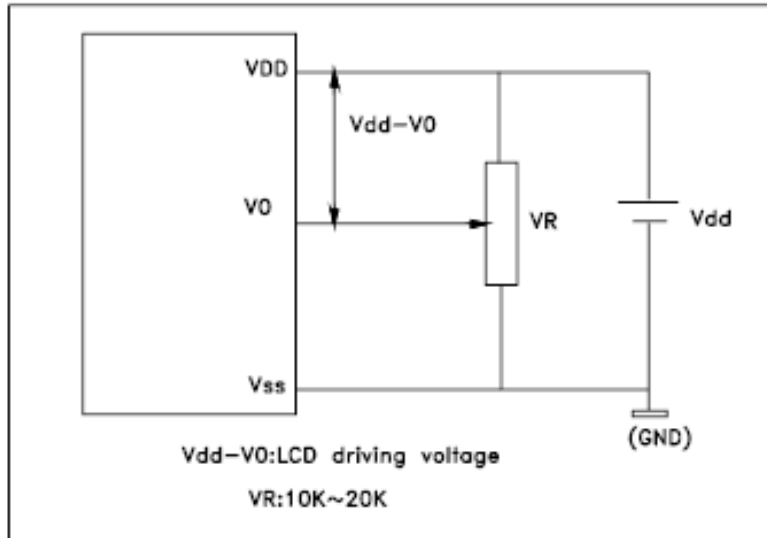
■ Series

Display Format	8 Characters X 2 Lines
Drive Method	1/16 Duty , 1/5 Bias
LCD Type	STN Yellow green
Viewing direction	6: 00
Operating Temperature	-10 ℃ ~60 ℃

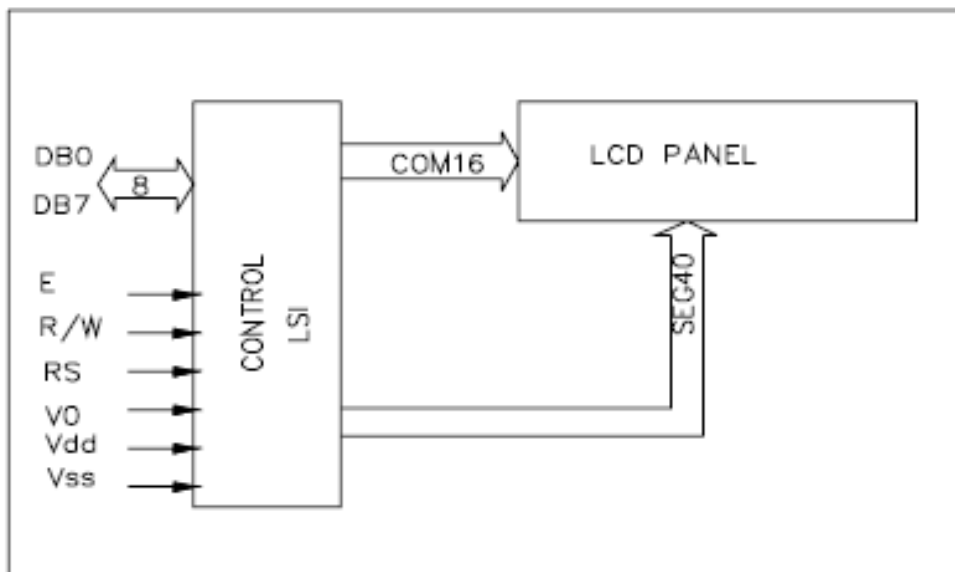
■ Electrical Characteristics

ITEM	Symbol	Condition	Standard value			UNIT
			Min.	Typ.	Max.	
Supply Voltage For Logic	$V_{DD}-V_{SS}$	--	4.5	5.0	5.5	V
Supply Voltage For LCD	$V_{DD}-V_0$	--	-	5.0	-	V
Input High Voltage	V_{IH}	--	2.2	-	V_{DD}	V
Input Low Voltage	V_{IL}	--	-0.3	-	0.6	V
output High Voltage	V_{OH}	$I_{OH}=0.1mA$	2.4	--	--	V
output Low Voltage	V_{OL}	$I_{OL}=0.1mA$	-	--	0.4	V
Power Supply Current	I_{DD}	$V_{DD}=5.0V$	-	1.2	3.0	mA

■ Power supply



■ Block Diagram



■ EXTERNAL DIMENSIONS AND DISPLAY PATTERN

