



EMERGENCY SERVICES

Component Location and Safety Document

XJ Series
1998 my Onwards

Parts and Service Communications
B/4/013
Browns Lane
Allesley
Coventry
CV5 9DR

download von www.feuerwehr-hasselsweiler.de

Component Location and Safety Document

INTRODUCTION

This document is produced to provide the emergency services with an overview of the vehicle's systems and components, which may have to be dealt with when attending the vehicle in an emergency condition.

Each component is illustrated to show its location and where appropriate the component is described to give a fundamental understanding of its function. Warning descriptions are included for components that may cause injury if incorrectly handled.

Engine and luggage compartment access are also illustrated.

Note: Left-hand and right-hand vehicle locations are referred to, viewed from the rear of the vehicle.

CONTENTS

BONNET AND LUGGAGE COMPARTMENT RELEASE	3
BATTERY AND OCCUPANT PROTECTION COMPONENTS	4
FUEL SYSTEM COMPONENTS	5
BODY REINFORCEMENT AND CUTTING PRECAUTIONS	6
INERTIA SWITCH	7

BONNET AND LUGGAGE COMPARTMENT RELEASE

Bonnet Release

Release the bonnet lock by pulling the lever, below the fascia on the driver's side of the vehicle.

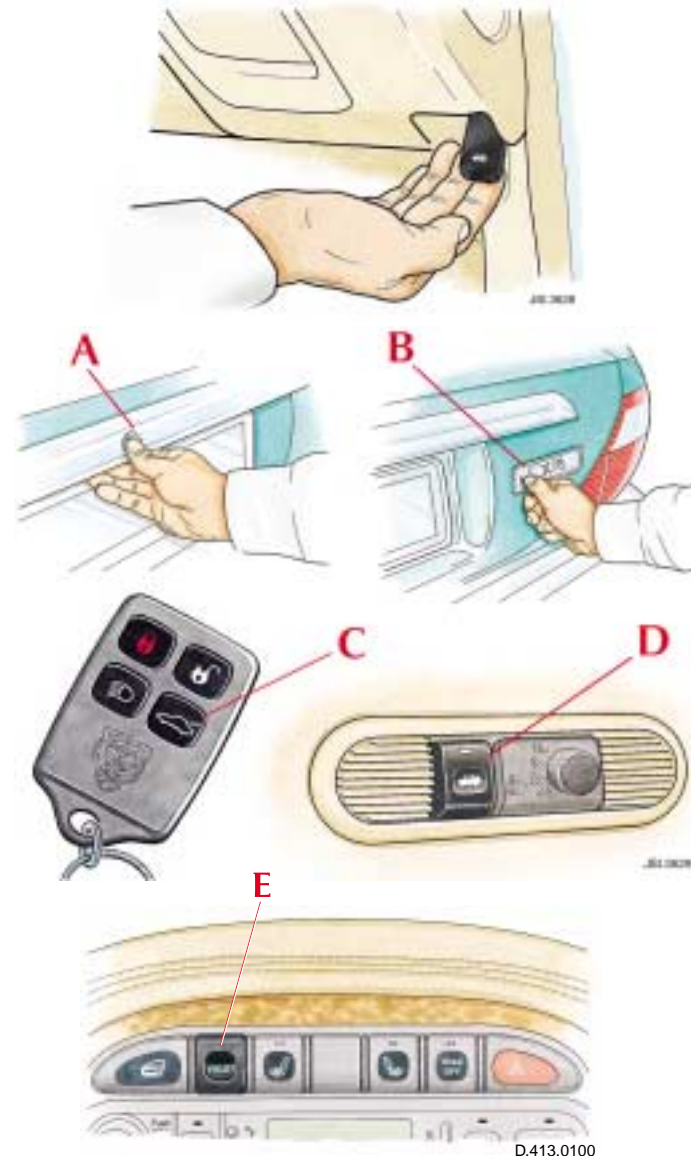
Reach across to the centre of the bonnet and lift the bonnet's rear edge. The gas filled struts will assist raising the bonnet, and retain it in the fully open position.

Luggage Compartment Release

To open the luggage compartment:

- press the badge button (A) on the compartment lid, or
- use the black-headed key in the lid release lock (B) turn key clockwise to unlock, or
- press the luggage compartment button (C) on the key-ring transmitter, or
- press the luggage compartment button (D) on the fascia.

Note: When the 'Valet' function (E) is activated, the luggage compartment can only be unlocked using (B) and (C).



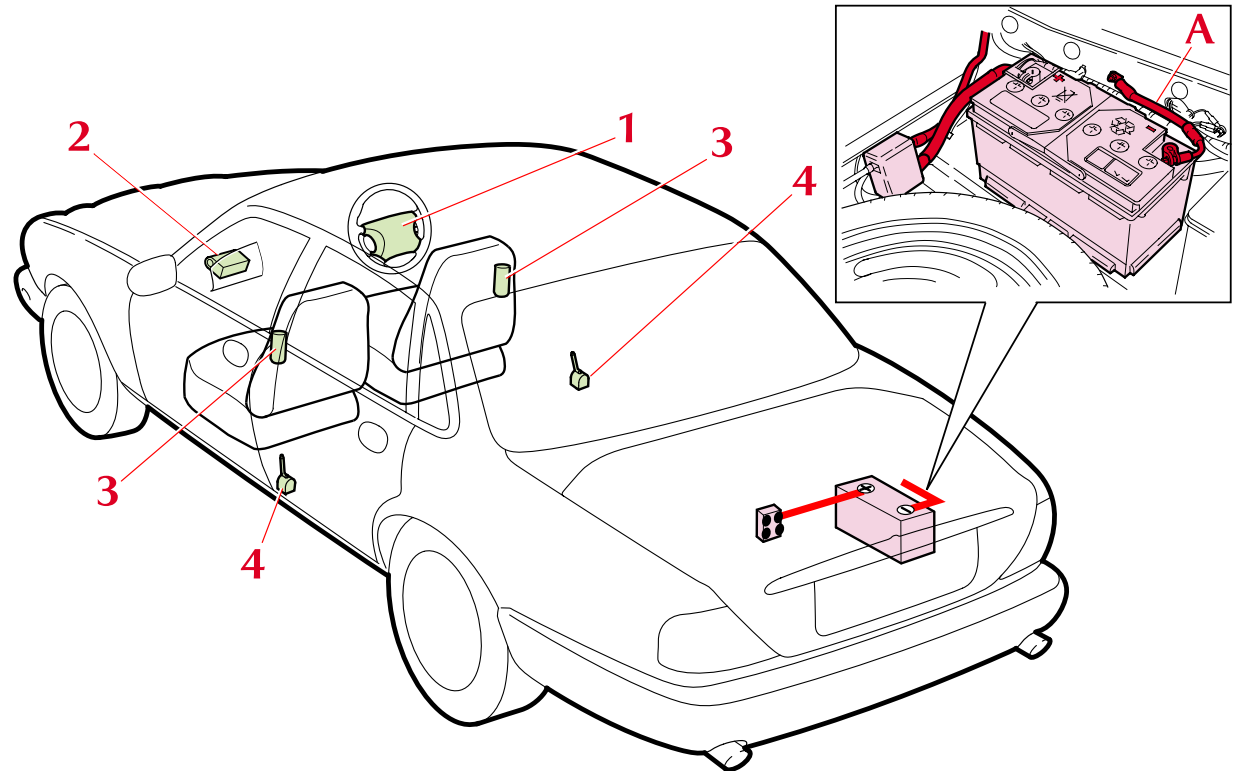
D.413.0100

Component Location and Safety Document

BATTERY AND OCCUPANT PROTECTION COMPONENTS

WARNINGS

- Before working in the vicinity of an undeployed airbag, disconnect the battery negative lead and wait for a period of ONE MINUTE to allow the SRS back-up power to deplete.
- The airbag harness is integrated into the vehicle's electrical harness. Severing the harness before the SRS back-up power has depleted may deploy the airbags and pre-tensioners.
- Care must be taken not to inhale the fumes emitted from deployed or ruptured airbags and pre-tensioners.
- If the seatbelt webbing is extended further than its stored position, the pre-tensioner must be considered live.
- Deployed airbags and pre-tensioners emit heat for a few minutes after deployment, which could be a source of fire ignition.



JSI.3622

Battery

The battery is located in the right-hand side of the luggage compartment, underneath the detachable floor panel. Disconnect the battery negative lead (A) to isolate the battery.

1. Driver Airbag - located in the steering wheel
2. Passenger Airbag - located in the fascia
3. Side Airbags - located in the front seats
4. Pyrotechnic Seatbelt Pre-tensioners - located in the centre door-posts

FUEL SYSTEM COMPONENTS

The steel fuel tank is located in the luggage compartment behind the passenger compartment bulkhead.

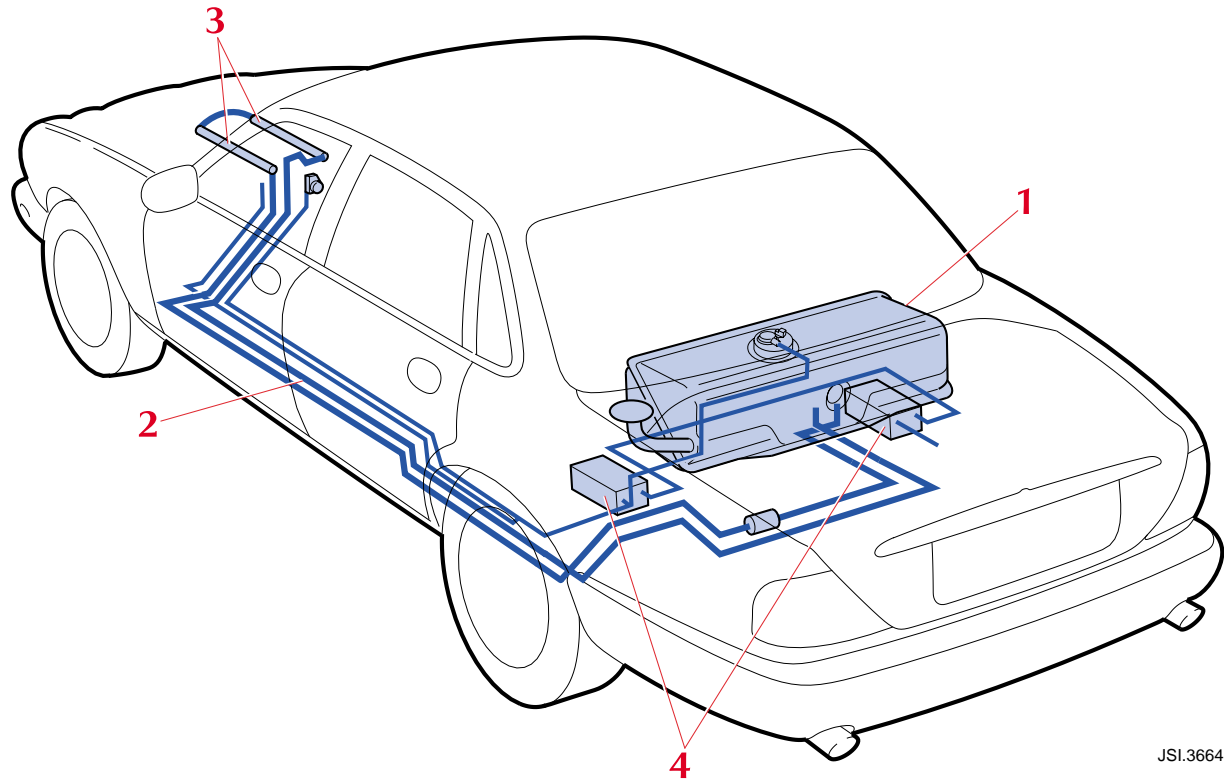
The tank has a fuel capacity of 81 litres.

The feed and return fuel lines run from the fuel tank, underneath the floor on the left-hand-side of the vehicle, to the engine fuel rails which distribute the fuel to the engine.

It must also be noted that the EVAP canister stores fuel vapour. The EVAP canister collects fuel vapour from the fuel system and at certain intervals delivers the vapour to the engine.

Location of the EVAP canister(s):

- Up to and including 2000 my: single canister located underneath the vehicle next to the left-hand rear exhaust silencer.
- 2001 my – on: twin canisters located underneath the vehicle, one canister next to each rear exhaust silencer.



1. Fuel Tank
2. Fuel Lines
3. Fuel Rails
4. EVAP Canister(s)

BODY REINFORCEMENT AND CUTTING PRECAUTIONS

The reinforced body sections are shown shaded.

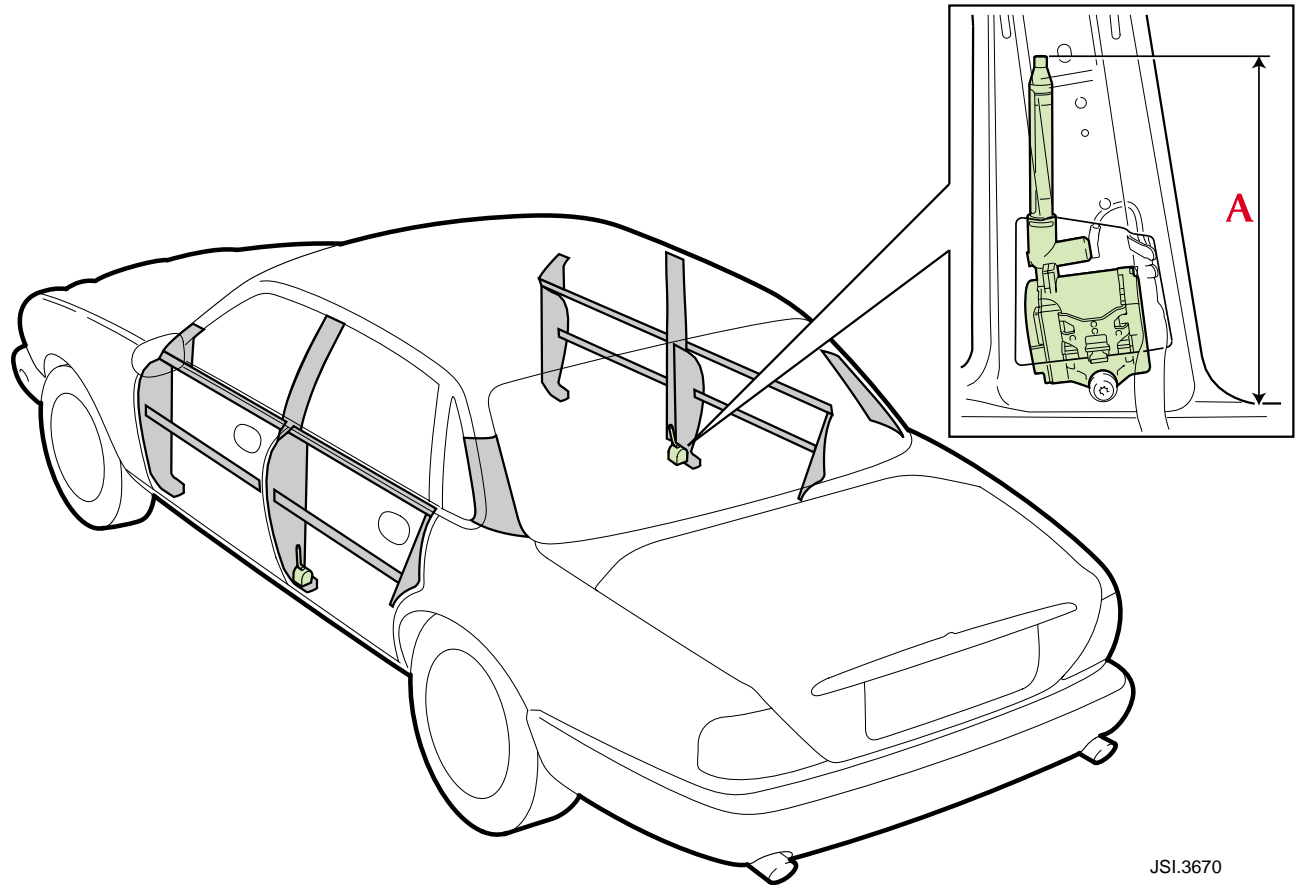
The seat-belt pre-tensioners are also shown, to prevent cutting equipment being used on the lower section of the centre door posts (see battery and occupant protection components).

A pre-tensioner is illustrated in the inset. The approximate height of the pre-tensioner (A) is measured from the top of the door-sill tread plate.

A = 350 mm.

WARNING

The airbag harness is integrated into the vehicle's electrical harness. Severing the harness before the SRS back-up power has depleted may deploy the airbags and pre-tensioners.



JSI.3670

INERTIA SWITCH

The inertia switch is located in the right-hand-side foot well behind the footboard carpet.

The inertia switch is activated when the vehicle is involved in a collision.

The activated switch:

- Stops the engine.
- Turns off the fuel pump.
- Unlock any locked doors.
- De-energizes any unnecessary electrical systems.
- Locks the fuel filler flap.

Note: The doors will not unlock if the inertia switch is activated when the ignition is in position '0' or '1'.

WARNING: Do not reset the inertia switch if you can see or smell fuel.

The inertia switch can be reset by following the instructions below:

1. Turn the ignition switch to position '0'.
2. Fully depress the flexible cover on the top of the inertia switch.

Turn the ignition switch to position 'II', pause for five seconds, then return the key to position '0'.

